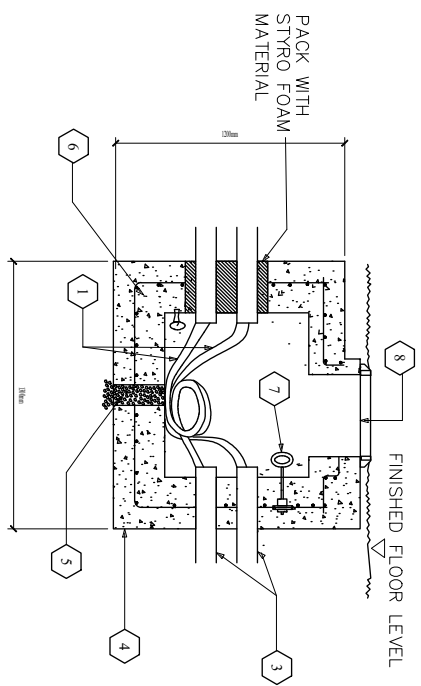
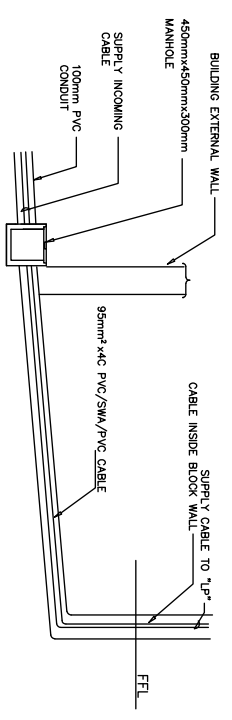


CABLE TRENCH DETAILS

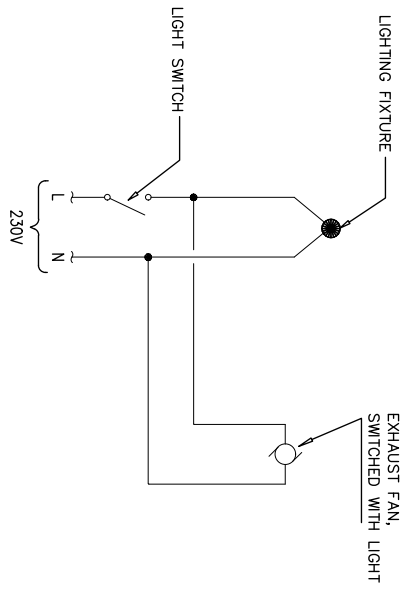


INSPECTION CHAMBER DETAIL



DETAIL OF MAIN ELECTRICAL SUPPLY

CABLE ENTRY INTO BUILDING



EXHAUST FAN CONTROL DIAGRAM

Project:

# LAGOS HOMES

Lagos Homes Agencies:

- New Town Development Authority (NTDA)
- Ministry Of Housing (MOH)
- Lagos State Development & Property Corporation (L.S.D.P.C)
- Project Implementation Monitoring Unit (PIMU)



**LAGOS STATE GOVERNMENT**

DEVELOPER:



**LAGOS STATE DEVELOPMENT AND PROPERTY CORPORATION**  
 2/4 Town Planning Way, Ilupeju,  
 P.M.B 21050, Ikeja, Lagos  
 Email: info@ldpc.gov.ng  
 Website: http://www.wildpc.gov.ng

NOTES & SPECIFICATION

1. THE DRAWINGS AND THE DESIGN ONLINE THEREIN SHALL BE THE PROPERTY OF THE DEVELOPER AND COPYRIGHT IS RESERVED.
2. ALL DIMENSIONS ARE TAKEN FROM CENTRE LINES UNLESS OTHERWISE INDICATED.
3. ALL DRAWINGS MUST BE CHECKED ON SITE FOR ACCURACY AND COMPLIANCE WITH THE BILL OF MATERIALS AND OTHER CONSULTANTS' DRAWINGS. THE SETTING OUT OF THIS BUILDING MUST BE APPROVED BY THE ARCHITECT OR DESIGNER REPRESENTATIVE ON SITE.

REVISIONS

NO.	DATE	DESCRIPTION	BY	CHKD

LAGOS HOMES TECHNICAL TEAM

Design by: N.T.S.  
 Date: DEC. 2020  
 Drawing Title: TECHNICAL NOTES

Sheet No: 00C  
 Drawing Code: LH/MB/01

Seal: